

EDA/TPI Ex-service Personnel Travel Pass

Information and application form

Am I eligible?

You may be eligible for a EDA/TPI Ex-service Personnel Travel Pass if you;

- have a Department of Veterans' Affairs (DVA) Gold Card embossed with EDA or TPI, and
- are a permanent Victorian resident.

If you're not eligible for this pass, you may be eligible for a War Veteran's concession myki.

How does it work?

The EDA/TPI (Extreme Disablement Adjustment or Totally and Permanently Incapacitated) Ex-service Personnel Travel Pass is a registered myki card that includes your name and photo.

The EDA/TPI Ex-service Personnel Travel Pass gives you free travel on:

- trains, trams and buses in metropolitan Melbourne
- V/Line train and coach services
- regional town bus services
- other services operated by Public Transport Victoria.

Customers should check if their free travel pass is accepted before travelling with an interstate or private operator. These include NSW TrainLink, Great Southern Railway, airport services, tourist railways, privately run bus services and chartered trains, trams and buses.

Carry your pass with you when travelling. You are still required to touch on and off when travelling on public transport.

The EDA/TPI Ex-service Personnel Travel Pass is free.

How do I apply?

1. Complete this application form
2. Attach one colour passport size photo which has been verified – Section 2
3. Attach a colour copy of your DVA Gold Card (embossed with EDA or TPI)
4. Send the form (flat and unfolded) to:

EDA/TPI Ex-service Personnel Travel Pass Applications

PTV Hub
PO Box 4724
Melbourne VIC 3001

Or deliver in person to

PTV Hub
750 Collins Street
Docklands

Please note: We can't process an incomplete form or return forms and photos. Photocopied applications are not accepted.

If you qualify for the EDA/TPI Ex-service Personnel Travel Pass, you will be notified by mail within 10 business days.

Section 1 – Applicant

Title (Mr, Mrs, Miss, Ms, other)

Surname

First Name

Date of Birth (dd/mm/yyyy)

Address

Unit number

Street number

Street name

Suburb/town

State

Postcode

Postal Address (If different from above)

Unit number

Street number

PO Box number

Suburb/town

State

Postcode

Daytime phone number (with area code)

Email

DVA Gold Card number

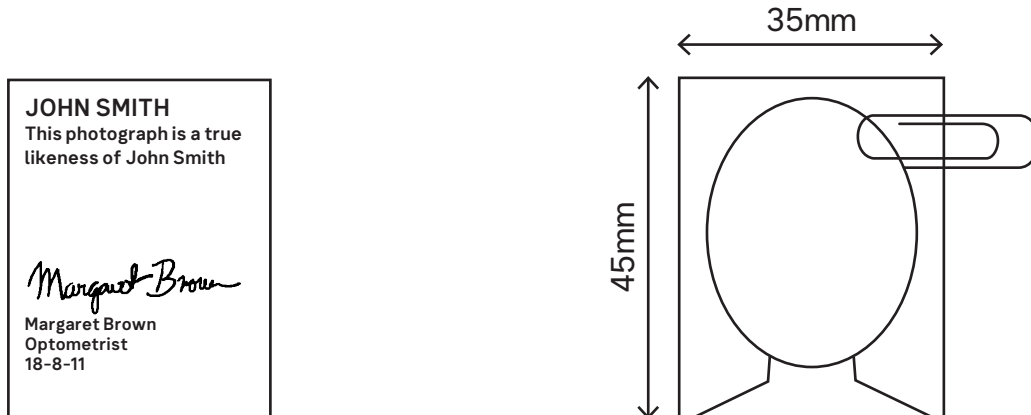
1.2 Are you a permanent Victorian resident?

Yes

No – Unfortunately, you are not eligible.

Section 2 – Photo

2.1 Attach one colour, passport size photo using a paper clip only.



2.2 Verify your identity

Submitting by post Ask your health care professional or Justice of the Peace to print your full name on the back of your photo and sign it, certifying it is a true likeness of you. See the example above.

Submitting in person Your passport size photo can be verified by a PTV Hub employee. You will need formal photo ID to verify your identity.

Your photo is kept on file to make it easier to send you a replacement pass, if needed.

Section 3 – Applicant and legal guardian/agent declaration

I, _____
(name of applicant) declare that all information provided and the following is true and accurate, that I/the applicant:

- have attached a colour copy of my DVA Gold Card embossed EDA/TPI
- have attached a colour passport size photo endorsed by a health care professional or Justice of the Peace
- am a permanent Victorian resident.
- authorise public transport authorities to verify the information in this form and to obtain and disclose any information relating to this application for the purpose of assessing the applicant’s eligibility for the War Veteran’s travel Pass.
- have read, or had explained, and accept the terms and conditions (Section 4)
- have read, or had explained, and accept the privacy notice (Section 5)

Signature

Date (dd/mm/yyyy)

D	D	M	M	Y	Y	Y	Y
---	---	---	---	---	---	---	---

Signature of applicant/guardian/agent
(must be 16 years and over)

If signed by a guardian/agent, please complete the following:

I, _____
(name of guardian/agent) declare that I have read and explained the contents of this application to the applicant and that the details set out for the applicant are correct.

Relationship to applicant

Phone number (with area code)

Section 4 – Terms and conditions

1. This pass is only valid for the person whose photo and name appears on it.
2. You need to carry your pass when travelling on public transport in Victoria.
3. Show your pass to a public transport staff, when requested.
4. Your pass remains the property of PTV. If you tamper with your pass, it may be cancelled.
5. If you lose your pass or it's ever stolen, damaged or becomes inactive, you'll let us know as soon as possible by calling **(03) 9027 4930**. We'll send you a free replacement pass.
6. Your myki is issued subject to, and its use is governed by, the myki Terms of Use, the Transport (Compliance and Miscellaneous) Act (1983) and related regulations, and the Victorian Fares and Ticketing Manual (myki) ('Ticket Conditions'), as amended from time to time. The myki Terms of Use limit Public Transport Victoria's PTV liability and may impose certain fees.

Section 5 – Privacy collection notice

Your personal information, provided by you and generated by the card, is collected by public transport authorities to issue and administer the card.

If you don't provide the information required, we may not be able to provide you with a free myki.

Your personal information may be used or shared amongst public transport authorities for the operation of myki, to verify entitlement to a free travel pass, for ticketing enforcement, in emergencies, as required or authorised under law, with your consent. You'll be able to access your personal information.

Public Transport Victoria (PTV) understands and respects your right to privacy and is committed to privacy protection. The Privacy and Data Protection Act 2014 and PTV's Privacy Policy regulate how we collect and handle your personal information. For more information on terms and conditions and privacy, visit ptv.vic.gov.au or contact PTV's Information Privacy Officer by phone **1800 800 007** or email ptvprivacy@ptv.vic.gov.au

For more information visit ptv.vic.gov.au or call **1800 800 007**.

If you're deaf, or have a hearing or speech impairment, contact us through the National Relay Service. TTY users can call **9619 2727**.



For information in other languages:

普通話	9321 5454	廣東話	9321 5441
Italiano	9321 5444	ਪੰਜਾਬੀ	9321 5445
Ελληνικά	9321 5443	हिन्दी	9321 5442
Việt-ngữ	9321 5449	සිංහල	9321 5446
عربي	9321 5440	Español	9321 5447

If your language isn't listed visit ptv.vic.gov.au/languages or call **9321 5450**.