

# Victorian War Veterans Travel Pass

Information and application form

## Am I eligible?

You may be eligible for a Victorian War Veterans Travel Pass if you;

- served overseas in war or peacemaking activities,

**Examples of war or peacekeeping service are:**

- World War II 03/09/1939 – 28/04/1952
- Korea 27/06/1950 – 19/04/1956
- Malaya 29/06/1950 – 30/09/1967
- Vietnam 31/07/1962 – 29/04/1975.

**ADF / Peacemakers:**

- Afghanistan
  - Africa (e.g. Sierra Leone, Namibia, Somalia, Rwanda)
  - Cambodia
  - East Timor
  - Gulf War
- plus one of the following;
- a Department of Veterans' Affairs (DVA) Gold or White Card,  
OR
  - receive ongoing DVA compensation  
OR
  - have received a lump sum compensation from DVA for an  
injury or illness related to service

and

- your doctor confirms your mobility is significantly limited due to an illness or injury as a result of the above service
- are a permanent Victorian resident.

(If you have a DVA Gold or White Card embossed with EDA or TPI, please apply for the EDA/TPI Ex-service Personnel Travel Pass.

## How does it work?

The Victorian War Veterans Travel Pass is a registered myki card that gives you free travel on:

- train, tram and bus passenger services in metropolitan Melbourne
- V/Line train and coach services
- regional town bus services
- other services operated by Public Transport Victoria.

Customers should check if their free travel pass is accepted before travelling with an interstate or private operator. These include NSW TrainLink, Great Southern Railway, airport services, tourist railways, privately run bus services and chartered trains, trams and buses.

Carry your pass with you when travelling. You are still required to touch on and off when travelling on public transport.

The Victorian War Veterans Travel Pass is free.

## How do I apply?

1. Complete this application form
2. Attach one colour passport size photo which has been verified – Section 2
3. Have your doctor complete Section 4
4. Send us the form (flat and unfolded) to:

### Victorian War Veterans Travel Pass Applications

PTV Hub  
PO Box 4724  
Melbourne VIC 3001

Or deliver in person to:

PTV Hub  
750 Collins Street  
Docklands

**Please note:** We can't process an incomplete form or return forms and photos. Photocopied applications are not accepted

If you qualify for the Victorian War Veterans Travel Pass, you will be notified by mail within 10 business days.

# Section 1: Applicant

## 1.1 Applicant's details

Title (Mr, Mrs, Miss, Ms, other)

Surname

First Name

Date of Birth (dd/mm/yyyy)

**Address**

Unit number

Street number

Street name

Suburb/town

State

Postcode

**Postal Address (If different from above)**

Unit number

Street number

PO Box number

Suburb/town

State

Postcode

Daytime phone number (with area code)

Email

DVA Gold or White Card number (if applicable)

Location of overseas war service\*

\*Documentary evidence of overseas war or peacekeeping service is required.

I have attached documentary evidence of overseas war or peacekeeping service

I have attached a colour copy of my DVA white/gold card or documented evidence of ongoing or lump sum compensation from DVA for an injury or illness related to service

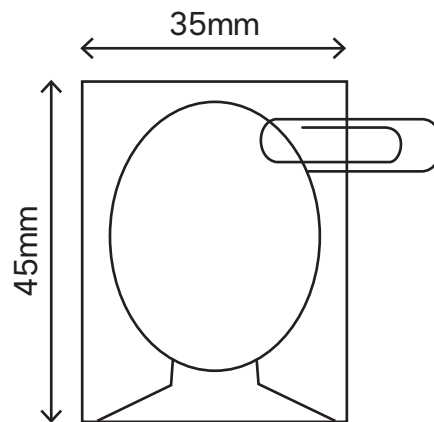
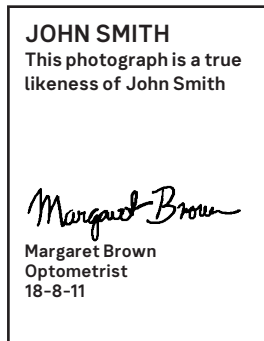
## 1.2 Are you a permanent Victorian resident?

Yes

No – Unfortunately, you are not eligible for this pass.

## Section 2: Photo

**2.1** Attach one colour, passport size photo using a paper clip only.



## 2.2 Verify your identity

**Submitting by post** Ask your health care professional or Justice of the Peace to print your full name on the back of your photo and sign it, certifying it is a true likeness of you. See the example above.

**Submitting in person** Your passport photo can be verified by a PTV Hub employee. You will also need to bring formal photo ID to verify your identity.

Your photo is kept on file to make it easier to send you a replacement pass, if needed.

### Section 3: Applicant or legal guardian/agent declaration

I, \_\_\_\_\_  
(name of applicant) declare that all information provided and the following is true and accurate, that I:

- have attached documentary evidence of my overseas war or peacekeeping service
- have attached a colour photocopy of my DVA Gold or White card or photocopy of evidence of ongoing or lump sum compensation for an injury or illness recognised by the DVA
- authorise public transport authorities to verify the information in this form and to obtain and disclose any information relating to this application for the purpose of assessing the applicant's eligibility or the War Veteran's travel Pass.
- had my treating doctor complete Section 4
- am a permanent Victorian resident
- have read or had explained to me, and accept the terms and conditions (Section 5)
- have read or had explained to me, and accept the privacy collection notice (Section 6)

Signature

Date (dd/mm/yyyy)

D	D	M	M	Y	Y	Y	Y
---	---	---	---	---	---	---	---

Signature of applicant/guardian/agent

**If signed by a guardian/agent, please complete the following;**

I, \_\_\_\_\_  
(name of guardian/agent) declare that I have read and explained the contents of this application to the applicant and that the details set out for the applicant are correct.

Relationship to applicant

Phone number (with area code)

## Section 4– Certificate of incapacity

To be completed by your doctor (please use BLOCK LETTERS)

This is to certify that I, Dr. \_\_\_\_\_  
(name of health practitioner)

have on this day \_\_\_\_\_  
(date)

medically examined \_\_\_\_\_ of  
(name of applicant)

\_\_\_\_\_  
(address of applicant)

and have found that their disability as accepted by the Department of Veterans' Affairs (DVA) is a result of a war related injury in accordance with the injury number below (if injury is number 7, please describe in the space provided).

### List of injuries

- 1. Both legs amputated, or rendered permanently and wholly useless above the knees.
- 2. Negligible powers of mobility so that movement is only possible with the aid of crutches or walking sticks, and for only short distances.
- 3. Both arms amputated, or rendered permanently and wholly useless above the wrists.
- 4. Both legs amputated, or rendered permanently and wholly useless below the knees.
- 5. One leg amputated, or rendered and wholly useless above or below the knee.
- 6. One leg amputated, or rendered permanently and wholly useless above or below the knee and one arm amputated, or rendered permanently and wholly useless, below the elbow.
- 7. For any other condition equivalent to one of the above which results in limited mobility.



Please explain below how the applicant’s injury or illness significantly affects their mobility.

---

---

---

---

---

---

---

---

---

---

Signature

Date (dd/mm/yyyy)

D	D	M	M	Y	Y	Y	Y
---	---	---	---	---	---	---	---

Professional stamp (must include name and address)

AHPRA registration number

--	--	--	--	--	--	--	--	--	--	--	--	--	--	--	--	--	--	--	--	--

## Section 5 – Terms and conditions

1. This pass is only valid for the person whose photo and name appears on it.
2. You need to carry your pass when travelling on public transport in Victoria.
3. Show your pass to a public transport employee, when requested.
4. Your pass remains the property of PTV. If you tamper with your pass, it may be cancelled.
5. If you lose your pass or it's ever stolen, damaged or becomes inactive, you'll let us know as soon as possible by calling **(03) 90274930**. We'll send you a free replacement pass.
6. Your myki is issued subject to, and its use is governed by, the myki Terms of Use, the Transport (Compliance and Miscellaneous) Act (1983) and related regulations, and the Victorian Fares and Ticketing Manual (myki) ('Ticket Conditions'), as amended from time to time. The myki Terms of Use limit Public Transport Victoria's PTV liability and may impose certain fees.

## Section 6 – Privacy collection notice

Your personal information, provided by you and generated by the card, is collected by public transport authorities to issue and administer the card.

If you don't provide the information required, we may not be able to provide you with a free myki.

Your personal information may be used or shared amongst public transport authorities for the operation of myki, to verify entitlement to a free travel pass, for ticketing enforcement, in emergencies, as required or authorised under law, with your consent. You'll be able to access your personal information.

Public Transport Victoria (PTV) understands and respects your right to privacy and is committed to privacy protection. The Privacy and Data Protection Act 2014 and PTV's Privacy Policy regulate how we collect and handle your personal information. For more information on terms and conditions and privacy, visit [ptv.vic.gov.au](http://ptv.vic.gov.au) or contact PTV's Information Privacy Officer by phone **1800 800 007** or email [ptvprivacy@ptv.vic.gov.au](mailto:ptvprivacy@ptv.vic.gov.au)

For more information visit [ptv.vic.gov.au](http://ptv.vic.gov.au) or call **1800 800 007**.

If you're deaf, or have a hearing or speech impairment, contact us through the National Relay Service. TTY users can call **9619 2727**.



For information in other languages:

普通話	9321 5454	廣東話	9321 5441
<b>Italiano</b>	9321 5444	ਪੰਜਾਬੀ	9321 5445
<b>Ελληνικά</b>	9321 5443	हिन्दी	9321 5442
<b>Việt-ngữ</b>	9321 5449	සිංහල	9321 5446
عربي	9321 5440	<b>Español</b>	9321 5447

If your language isn't listed visit [ptv.vic.gov.au/languages](http://ptv.vic.gov.au/languages) or call **9321 5450**.

