

# Vision Impaired Travel Pass

Information and application form

## Am I eligible?

You may be eligible for a Vision Impaired Travel Pass if you are:

- legally blind, and
- a permanent Victorian resident.

If you have a Vision Impaired Travel Pass issued by another state or territory, you can use this as a flash pass to access free public transport in Victoria.

If you need to travel with a companion/carer, you can apply for:

- Companion Card – [companioncard.org.au](http://companioncard.org.au)
- Multi-Purpose Taxi Program – [taxi.vic.gov.au/passengers/mptp](http://taxi.vic.gov.au/passengers/mptp)

If you use a scooter or wheelchair for mobility outside your home, you can apply for:

- Scooter and Wheelchair Travel Pass – [ptv.vic.gov.au](http://ptv.vic.gov.au)

## How does it work?

The Vision Impaired Travel Pass is a registered myki card that has two raised dots on the left hand side, to help you locate the pass and know which side your name and photograph is on.

The Vision Impaired Travel Pass gives you free travel on:

- trains, trams and buses in metropolitan Melbourne
- V/Line train and coach services
- regional town bus services
- other services operated by Public Transport Victoria.

Customers should check if their free travel pass is accepted before travelling with an interstate or private operator. These include NSW TrainLink, Great Southern Railway, airport services, tourist railways, privately run bus services and chartered trains, trams and buses.

Carry your pass with you when travelling. You don't need to touch on or off, but you'll need to show it to station staff to go through station gates and may be asked to show it to public transport staff.

The Vision Impaired Travel Pass is free.

## How do I apply?

1. Complete this application form
2. Attach one colour passport size photo which has been verified - Section 2
3. Have your health professional complete Section 4
4. Send the form (flat and unfolded) to:

### **Vision Impaired Travel Pass Applications**

PTV Hub  
PO Box 4724  
Melbourne VIC 3001

Or deliver in person to:

PTV Hub  
750 Collins Street  
Docklands

**Please note:** We can't process an incomplete form or return forms and photos. Photocopied applications are not accepted

If you qualify for the Vision Impaired Travel Pass, you will be notified by mail within 10 business days.

# Section 1: Applicant

## 1.1 Applicant's details

Title (Mr, Mrs, Miss, Ms, other)

Surname

First Name

Date of Birth (dd/mm/yyyy)

**Address**

Unit number

Street number

Street name

Suburb/town

State

Postcode

**Postal Address (If different from above)**

Unit number

Street number

PO Box number

Suburb/town

State

Postcode

Daytime phone number (with area code)

Email

## 1.2 Are you a permanent Victorian resident?

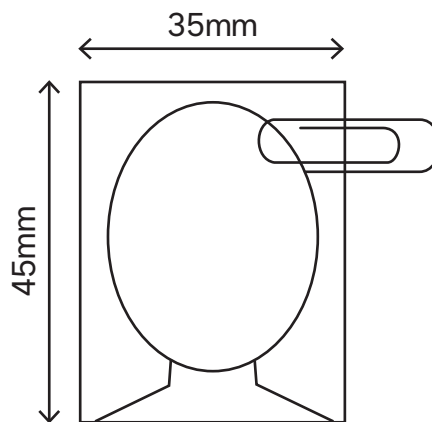
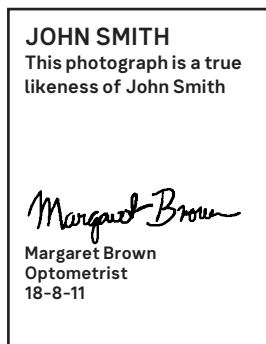
Yes

No – Unfortunately, you're not eligible for this pass.

If you have a Vision Impaired Travel Pass issued by another state or territory, you can use this as a flash pass to access free public transport in Victoria.

## Section 2: Photo

### 2.1 Attach one colour, passport size photo using a paper clip only.



### 2.2 Verify your identity

**Submitting by post** Ask your health care professional or Justice of the Peace to print your full name on the back of your photo and sign it, certifying it is a true likeness of you. See the example above.

**Submitting in person** Your passport photo can be verified by a PTV Hub employee. You will also need to bring formal photo ID to verify your identity.

Your photo is kept on file to make it easier to send you a replacement pass, if needed.

### Section 3: Applicant or legal guardian/agent declaration

I, \_\_\_\_\_  
(name of applicant) declare that all information provided and the following is true and accurate, that I:

- am legally blind
- authorise public transport authorities to verify the information in this form and to obtain and disclose any information relating to this application for the purpose of assessing the applicant’s eligibility for a Vision Impaired Travel Pass
- agree that the applicant’s chosen Ophthalmologist/Optomtrist (Section 4) may share information about the applicant to help us assess their application
- am a permanent Victorian resident
- have read or had explained to me and accept the terms and conditions (Section 5)
- have read or had explained to me and accept the privacy collection notice (Section 6).

Signature

Date (dd/mm/yyyy)

D	D	M	M	Y	Y	Y	Y
---	---	---	---	---	---	---	---

Signature of applicant/guardian/agent  
(must be 16 years and over)

#### If signed by a guardian/agent, please complete the following;

If the applicant is under 16 years of age or is unable to sign the application, the applicant’s guardian/agent needs to complete and sign the section below.

I, \_\_\_\_\_  
(name of guardian/agent) declare that I have read and explained the contents of this application to the applicant and that the details set out for the applicant are correct.

Relationship to applicant

Phone number (with area code)

## Section 4: Health practitioner declaration

4.1 I am currently a:

Ophthalmologist

Optometrist

4.2 In your professional capacity, do you assess this applicant to be legally blind?

Yes

No – Unfortunately the applicant is not eligible

4.3 Is this a permanent condition?

Yes

No – Unfortunately the applicant is not eligible

4.4 I, \_\_\_\_\_ declare that:  
(name of health practitioner)

- I've provided information that's true and correct
- I'm not the applicant or a member of the applicant's immediate family
- I've signed the back of the applicant's photo and confirm it's a true likeness.

Signature

Date (dd/mm/yyyy)

D	D	M	M	Y	Y	Y	Y
---	---	---	---	---	---	---	---

Professional stamp (must include name and address)

AHPRA registration number

--	--	--	--	--	--	--	--	--	--	--	--	--	--	--	--	--	--	--	--	--

## Section 5 – Terms and conditions

1. This pass is only valid for the person whose photo and name appears on it.
2. You need to carry your pass when travelling on public transport in Victoria.
3. Show your pass to a public transport employee, when requested.
4. Your pass remains the property of PTV. If you tamper with your pass, it may be cancelled.
5. If you lose your pass or it's ever stolen, damaged or becomes inactive, you'll let us know as soon as possible by calling **(03) 90274930**. We'll send you a free replacement pass.
6. Your myki is issued subject to, and its use is governed by, the myki Terms of Use, the Transport (Compliance and Miscellaneous) Act (1983) and related regulations, and the Victorian Fares and Ticketing Manual (myki) ('Ticket Conditions'), as amended from time to time. The myki Terms of Use limit Public Transport Victoria's PTV liability and may impose certain fees.

## Section 6 – Privacy collection notice

Your personal information, provided by you and generated by the card, is collected by public transport authorities to issue and administer the card.

If you don't provide the information required, we may not be able to provide you with a free myki.

Your personal information may be used or shared amongst public transport authorities for the operation of myki, to verify entitlement to a free travel pass, for ticketing enforcement, in emergencies, as required or authorised under law, with your consent. You'll be able to access your personal information.

Public Transport Victoria (PTV) understands and respects your right to privacy and is committed to privacy protection. The Privacy and Data Protection Act 2014 and PTV's Privacy Policy regulate how we collect and handle your personal information. For more information on terms and conditions and privacy, visit [ptv.vic.gov.au](http://ptv.vic.gov.au) or contact PTV's Information Privacy Officer by phone **1800 800 007** or email [ptvprivacy@ptv.vic.gov.au](mailto:ptvprivacy@ptv.vic.gov.au)



For more information visit [ptv.vic.gov.au](http://ptv.vic.gov.au) or call **1800 800 007**.

If you're deaf, or have a hearing or speech impairment, contact us through the National Relay Service. TTY users can call **9619 2727**.



For information in other languages:

普通話	9321 5454	廣東話	9321 5441
<b>Italiano</b>	9321 5444	ਪੰਜਾਬੀ	9321 5445
<b>Ελληνικά</b>	9321 5443	हिन्दी	9321 5442
<b>Việt-ngữ</b>	9321 5449	සිංහල	9321 5446
عربي	9321 5440	<b>Español</b>	9321 5447

If your language isn't listed visit [ptv.vic.gov.au/languages](http://ptv.vic.gov.au/languages) or call **9321 5450**.

